

ACCESS DOOR



**PANIC DEVICES-ACCESS CONTROL
EGRESS DEVICES**



**P.(319) 208-7705 F. (319) 208-7708
info@accessdoor.us**

ACCESS DOOR



Glass Doors Panic Devices/ Egress controls



Standard Round Bar

Features,

- All Glass, Full Rail & Custom Mounting
- Standard & Custom Configurations/
Exterior Handles
- Custom Finishes Available*
- Secure Cylinder/
Key Housing
- Door stop/
Strike bracket
- Electric Strike Options
- Floating Transom Bars
- Dummy Handles & Deadbolts
- Tested 1.5 million cycles
- 3 Year Warranty

*consult us for details



AD-100A Panic Device shown

P.(319) 208-7705 F. (319) 208-7708
info@accessdoor.us



Panic Devices/Egress controls



A Style Door with Panic Device and exterior key access/custom handle.



A Style Door with AD100 Panic Device/ D exterior handle



BP Style Door with AD100 Panic Device/ B exterior handle



P Style Door w/ AD100 Panic Device/ A exterior handle



FF Style Door w/ AD100 Panic Device/ A exterior handle

Access Door offers the AD-100 Series Panic Device. These Panics are a contemporary design offered primarily for All Glass door/entrance systems with a minimal latch mechanism tubular metal housing with catch options at the header or floor.

Also feature an actuator mechanism that deactivates the panic function to work as a fix handle and allows free exterior access . Strikes are available for either latch option as well as locking accesories to provide increased security. All of our Panic Devices go through various quality assurance processes and meet industry standard/tests UL305 and ANSI/BHMA A156.3-2001.

AD offers a variety of mechanical/electrical access controls that facilitate a safe and easy door operation such as,

- Panic devices (Slim 1 1/4" dia.)
- header/glass mount door stop bar
- mechanical/electric strike brackets
- custom floating transom/headers
- electronic egress control devices

Various panic device, exterior handle, door style configurations that include narrow full frame entrances and custom applications are available, please consult AD for details.

* State/local building codes may require top latch/strike mount.



AD Exterior Handles

Access Door Panic Devices exterior handles are available in **All Industry standard styles** from A to Y.

Most popular styles are shown, to view our full line visit accessdoor.us



BP Style Door with PL-100 Panic Device/
standard A exterior handle



A



B



C



D



E



F



FS



**ACCESS
ARCHITECTURAL
HARDWARE**



Access Door
www.accessdoor.us

ARCHITECTURAL PUSH-PULL HARDWARE

AD Advantage

ACCESS ARCHITECTURAL HARDWARE is a division of ACCESS DOOR. We have over 75 years of experience manufacturing and supplying premium quality architectural push pull hardware and hardware designed to be used in the commercial doors, glass and aluminum industry.

Standard finishes are satin stainless steel (US32D) and polished stainless steel (US32). Other finishes are available upon request. Consult the factory for pricing and availability.

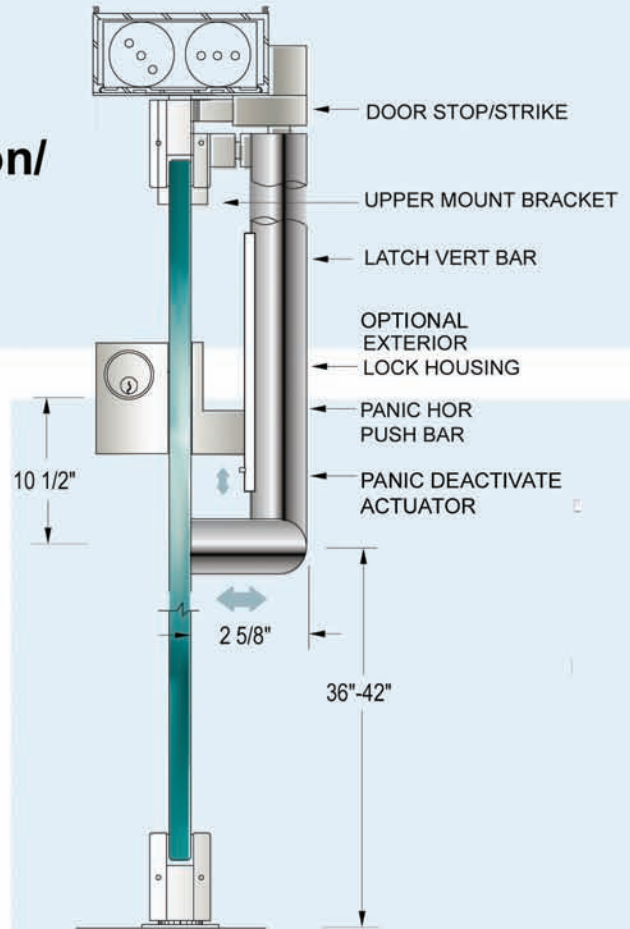
P.(319) 208-7705 F. (319) 208-7708
info@accessdoor.us



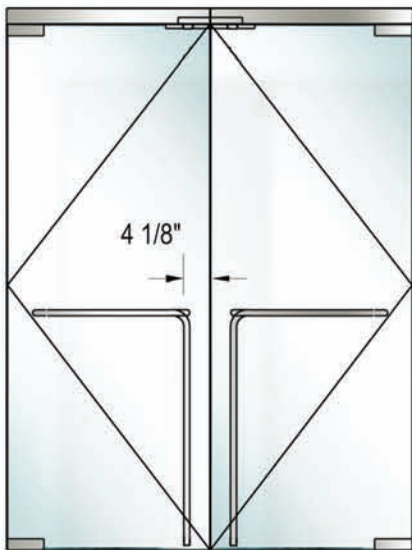
Panic Device Configuration/ Specifications

Access Door manufactures two types of panic devices AD-100 for top latch and AD-110 for floor latch application.

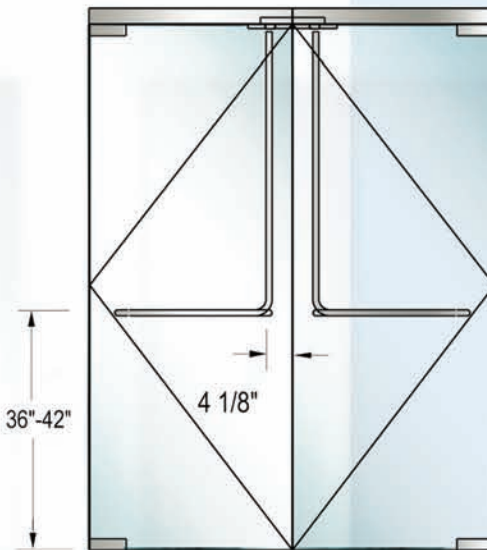
- Exterior handles
Std. Styles/Custom
- Lock Options
Cylinder/Lock housing,
mechanical/electric strikes
- Mount type hardware
Glass/Metal
- Door applications
All glass, Full frame Glass,
Storefront aluminum & wood



AD SERIES PANIC HANDLE GLASS MOUNT SHOWN

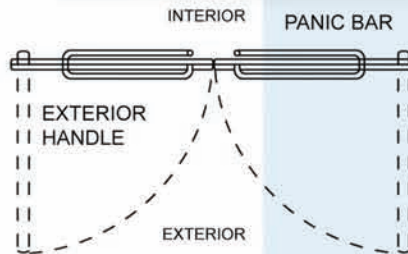
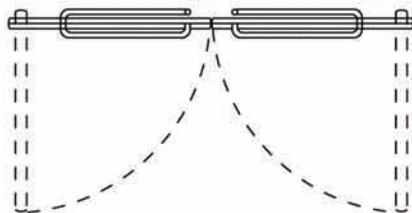


AD-110



AD-100

RECOMMENDED DOOR SIZES:	
GLASS THICKNESS:	1/2" 3/4"
OPENINGS	
EXTERIOR	96" 102"
INTERIOR	102" 108"
SPECIFICATIONS:	
TUBING:	1 1/4" ROUND
MOUNT (THICKNESS)	
GLASS:	1/2" OR 3/4"
RAIL/METAL	1 3/4"
FINISHES:	
STAINLESS STEEL	#4 SATIN #8 POLISHED
OTHERS UPON REQUEST	



DOOR SWING PROJECTION

*State/local building codes may require top latch for A.D.A. compliance.

**Thresholds are recommended at floor strike applications, floor mounted strikes can be a tripping hazard.



Fittings



BP Style Doors/ TVS System



1- STRIKE BRACKET



2- GLASS MOUNT BRACKET



3- RAIL MOUNT BRACKET



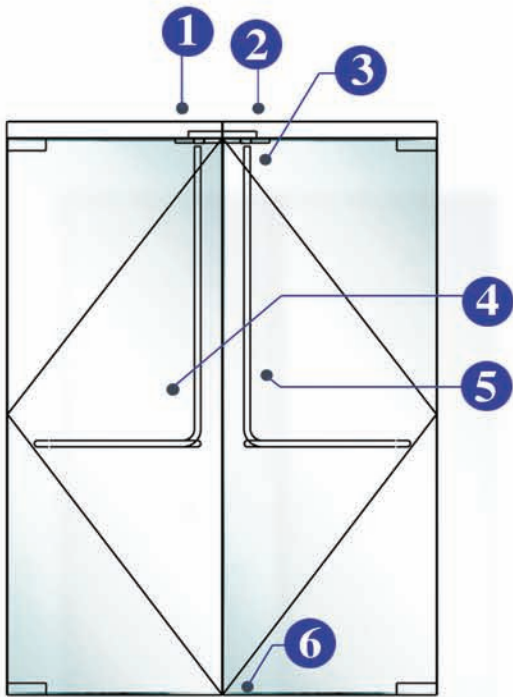
4- SUPPORT BRACKET



5- LOCK HOUSING



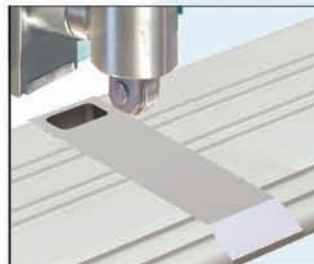
6- FLOOR STRIKE (AD 110 ONLY)



Access Door **Panic Devices** minimal tubularhousing accomodate over 100 precision manufactured components engineered and mechanically synchronized for a safe panic function.

Various modular Fittings are offered as separate options to make panic applications versatile. Range from mechanical strikes to remotely operated access/egress electric controls.

* State/local building codes may require doors bottom full rail.



6b- T-HOLD STRIKE (AD 110 ONLY)



Custom floating transom bar with glass fin support bracket.



TRANSOM/SL/FIN/PIVOT BRACKET



Panic hardware combined with custom fittings engineered to offer a minimal metal support for door, stabilizer glass fins and panic hardware latch strike in a single modular unit.



Technical Sales/Support

ACCESS DOOR offers Panic Hardware technical support to complement the product line.

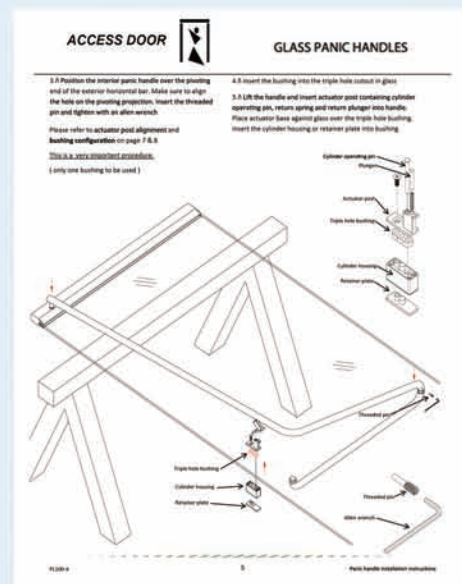
Our mechanical panic devices are precisely manufactured to specification from the highest quality materials and are backed by a 3 year limited warranty.

ACCESS DOOR technical assistance will save you time and effort coordinating the concept, design, material selection and evaluation of technical considerations necessary to provide uniform hardware solutions for your project.

ACCESS DOOR offers drawing details and specifications on entrance systems and related components for incorporation in project documents.

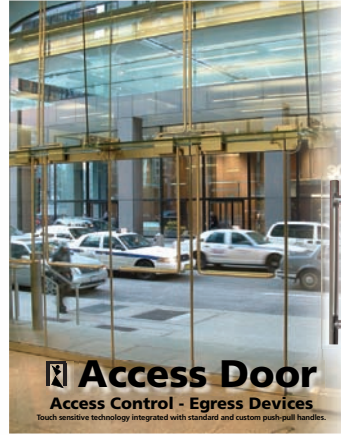
Please contact us for details.

P.(319) 208-7705 F. (319) 208-7708
info@accessdoor.us



Support Documents

ACCESS DOOR



Smart Touch

Smart Touch Bar for All-Glass Doors

On electronically locked, non fire rated tempered glass doors most building codes require an exit device that does not require any special tools or knowledge to activate the lock. The Smart Touch bar is the perfect device for this requirement. The simple act of touching the bar (even through gloves or clothing) activates an electronic sensor which immediately releases the lock.

The Smart Touch Bar is the ultimate in egress reliability and safety. Having no moving parts, it does not suffer mechanical wear. No pressure is required for use which provides superior egress safety for frail or disabled persons.

Another advantage of the Smart Touch Bar is that it will accommodate larger monumental doors with fewer design restrictions. Also security of larger entrances is improved because deflection common to larger doors does not effect the magnetic bond between the lock.

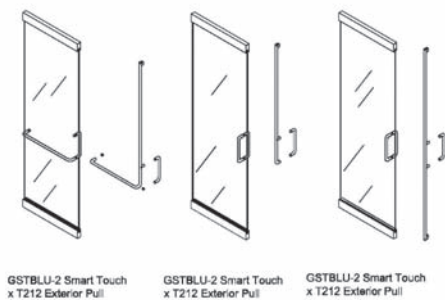
Retrofit

On all-glass doors with standard hole configurations and standard height door rails the Smart Touch Exit Device can be retrofitted to provide electronic security and access control without replacing the doors. The exit bar mounts to the door with specially designed hardware which uses the existing holes in the door Retrofit designs for all door types are available utilizing Smart Grip and Smart Touch technology. Access Door can also retrofit glass doors that have mechanical panics installed on them.

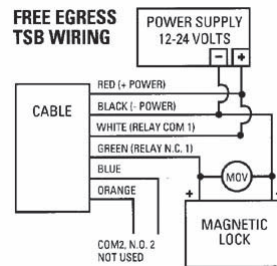


Retrofit installation of Smart Touch replacing mechanical panic

SMART TOUCH BAR STANDARD RETROFIT CONFIGURATIONS



The Smart Touch is available in most architectural finishes. Stainless steel brass, and bronze are clear powder coated. Other colors are available in powdered coated finishes.



P.O. Box 517
Keokuk, Iowa 52632
P.(319) 208-7705 F. (319) 208-7708
info@accessdoor.us

www.accessdoor.us